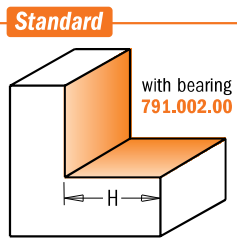
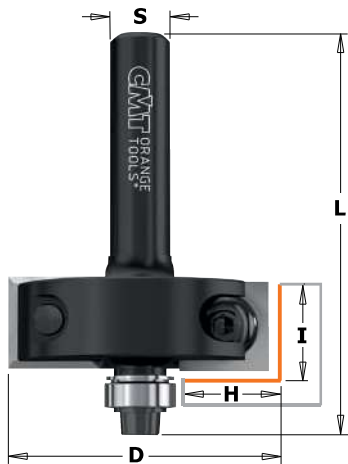
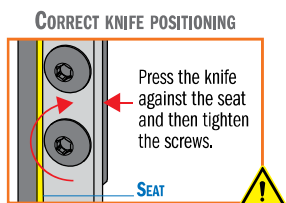


Rabbeting Bits with Insert Knives



Drawing is 1:1 scale



660



Rabbeting bits for creating cabinet doors, backsides and drawer fronts. Every bit is equipped with a standard bearing (791.002.00), but other bearings are also available in order to craft a variety of rabbeting widths. For use on chipboard, wood or MDF.

SAFETY TIPS:



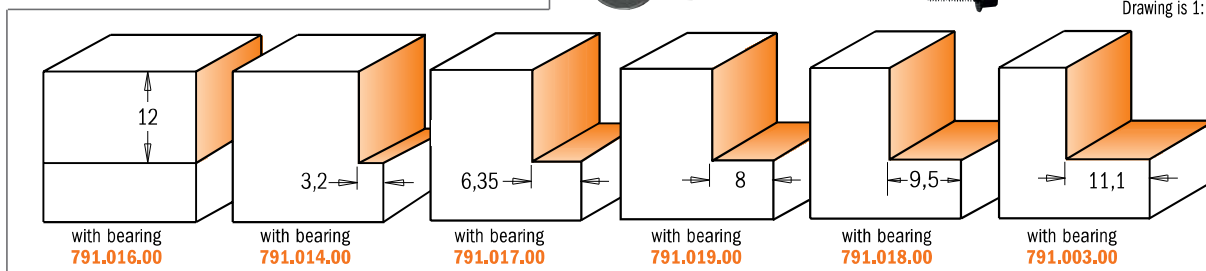
The **TW-006** Torque Screwdriver is recommended for the proper fastening of screws (see page 406).

791.703.00 **Optional**



With this kit **791.703.00** you can obtain all cutting depth below.

Drawing is 1:1 scale



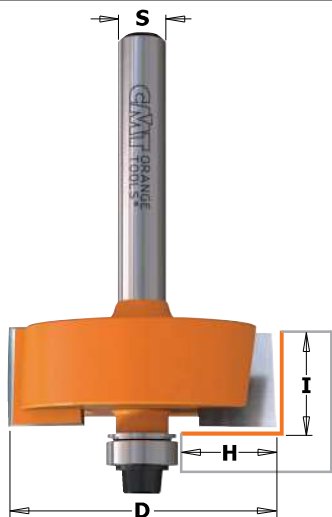
H mm	D mm	Z	I mm	L mm	Box	ORDER NO. S=Ø6,35mm	ORDER NO. S=Ø8mm	ORDER NO. S=Ø12mm	ORDER NO. S=Ø12,7mm
12,7	34,9	2	12	55	10	660.351.11	660.350.11		660.851.11
12,7	34,9	2	12	65	10				
22,2	57	4	12	66	5			660.570.11	

Spare parts

Icon	Icon	Icon
790.120.00	990.422.00	791.002.00
790.120.00	990.422.00	791.002.00
790.120.03	990.423.00	791.003.00

Spare parts: **990.075.00** M4x6mm TORX® screw **991.061.00** T15 TORX® key **990.058.00** 1/8"x3/8"x1/2" TCEI screw **990.057.00** 3/32" hex key

Rabbeting Sets



7/8/935.001



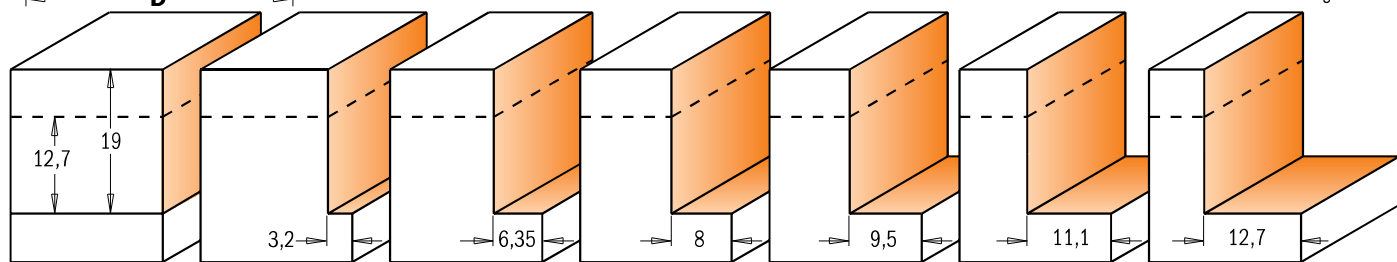
CMT rabbeting sets include one rabbeting bit, 6 interchangeable ball bearing guides, fastening screws, shields and an Allen Key. In order to change cutting depth, substitute the bearing.

791.703.00 **Standard**



BE SURE to keep the black bearing washer right side up to correspond with the bearing rotation when re-assembling the bearing. Improper re-assembly can cause the screw to come loose.

Drawing is 1:1 scale



H mm	D mm	I mm	Box	ORDER NO. S=Ø6mm	ORDER NO. S=Ø6,35mm	ORDER NO. S=Ø8mm	ORDER NO. S=Ø12mm	ORDER NO. S=Ø12,7mm
0-12,7	34,9	12,7	5	735.001.11	835.001.11	935.001.11	935.501.11	835.501.11
0-12,7	34,9	19	5				935.502.11	835.502.11

Spare parts: **791.002.00** Ø4,76/Ø9,5mm bearing **990.058.00** 1/8"x3/8"x1/2" TCEI screw **990.422.00** Ø4,76/Ø9,5mm shield **990.057.00** 3/32" hex key